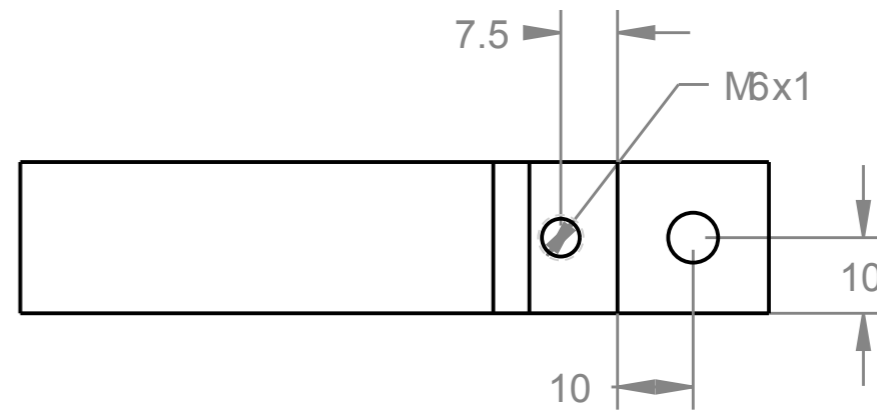
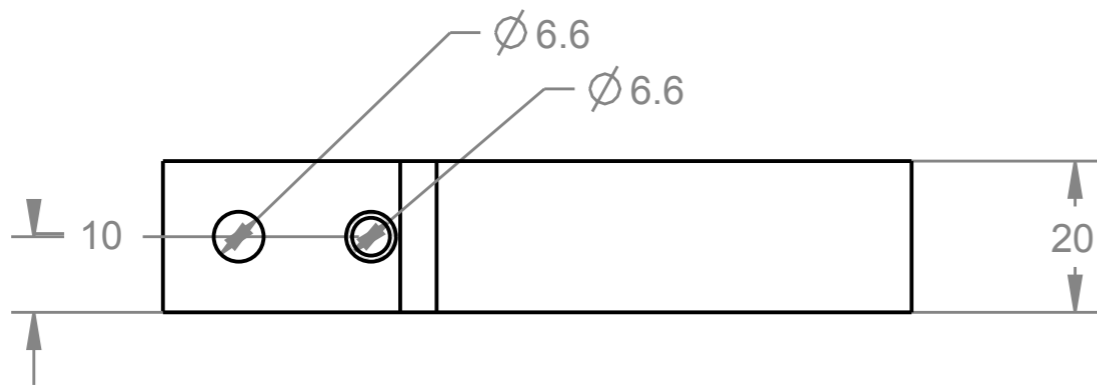
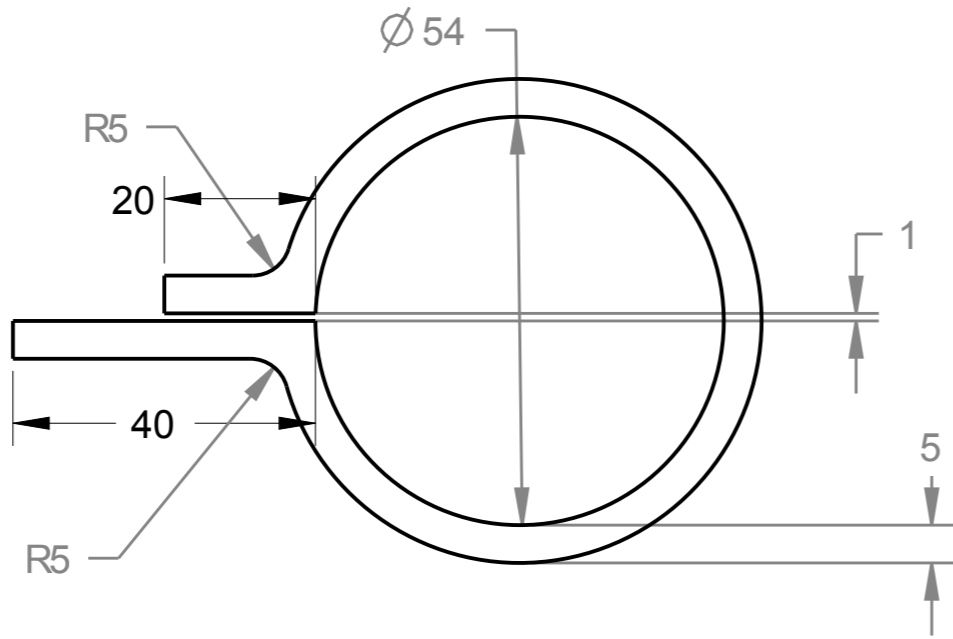
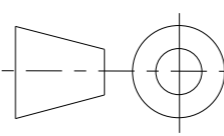


MODEL NAME
SCHELLE2

TITLE



	THIS DOCUMENT IS SUPPLIED IN CONFIDENCE. NO REPRODUCTION OF THIS DOCUMENT IN PART OR IN WHOLE OR THEREON OF THE ITEMS SHOWN MAY BE MADE WITHOUT THE COPYRIGHT OWNERS WRITTEN PERMISSION.	DRAWN BY	DATE
		CHECKED BY	DATE
		APPROVED BY	DATE
UNLESS OTHERWISE SPECIFIED ALL DIMENSIONS ARE IN MILLIMETERS. TOLERANCES ARE +/- 0.1MM +/- 1°	TITLE	SCALE 1:1	SHEET 1 OF 1
DO NOT SCALE	PROJECT	MODEL NAME SCHELLE2	ISSUE